

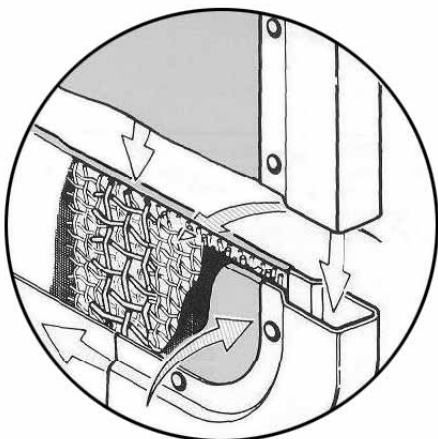
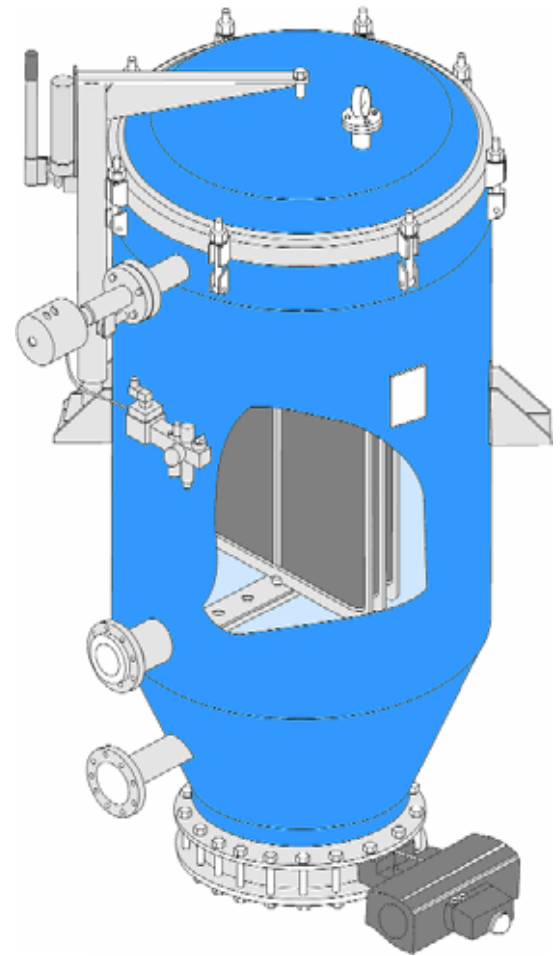
## Edible Oil Filtration

### FEATURES

- Hermetically closed system eliminates contamination and operator contact.
- Filtration area up to 1,270 square feet in a single housing.
- Vertical designs require a smaller foot print than the horizontal designs.
- Innovative cover lift design allows easy opening and closing of filter housing.
- Suitable for complete automation.
- Wide range of Pressure Leaf Media to meet specific application requirements.

### HOUSING SPECIFICATIONS

- Material tank : carbon steel  
(stainless steel optional)
- Material filter elements : stainless steel
- Design pressure : -1 / 6 bar(g) (-14.5 / 87 psig)
- Design temperature : 0 / 150 °C ( 32 / 302 °F)
- Max. allowable pressure drop : 4.5 bar (65 psi)
- Design Approval : ASME VIII div 1 U-stamp



Box 678, Nowata, OK 74048  
918-273-2204  
800-259-2204  
Fax: 918-273-2101  
www.nowata.com  
Email: americas.info@amafiltergroup.com

**amafiltergroup**  
total filtration

# Versis Pressure Leaf Filter

## Edible Oil Filtration

Versis Model	800	1000	1200 (1500)	1200 (1810)	1400 (1500)	1400 (1810)	1600	1800	2000
Tank Diameter (inches)	31	39	47	47	55	55	63	71	79
Element Height (inches)	59	59	59	71	59	71	71	71	71
Feed / Drain (inches)	2	2	3	3	3	3	3	4	4
Filtrate Outlet (inches)	2	2	3	3	3	3	4	4	5
Vent (inches)	2	2	2	2	3	3	3	3	4
Cake Discharge (inches)	14	20	20	20	24	24	24	24	24

Versis Model	Filter Area (m <sup>2</sup> )	Cake Volume (dm <sup>3</sup> )	Filter Leaves (-)	Filter Volume (dm <sup>3</sup> )	Leaf Spacing (inches)	Floor Space (inches x inches)	Height [incl. lifting height for elements] (inches)	Weight [empty] (lbs)
800-12 / 1500 800-14 / 1500	12 14	270 310	7 9	1050	3	77 x 55	162	1785
1000-19 / 1500 1000-22 / 1500 1000-24 / 1500	19 22 24	410 490 530	8 10 12	1690	3	93 x 63	166	2623
1200-27 / 1500 1200-31 / 1500 1200-34 / 1500	27 31 34	590 680 750	10 12 14	2520	3	107 x 71	173	3362
1200-37 / 1810 1200-40 / 1810	37 40	810 880	12 14	2855	3	107 x 71	196	3627
1400-45 / 1500 1400-48 / 1500	45 48	990 1050	15 17	3540	3	122 x 82	178	4685
1400-54 / 1810 1400-57 / 1810	54 57	1180 1250	15 17	3990	3	122 x 82	192	5016
1600-61 / 1810 1600-67 / 1810 1600-72 / 1810	61 67 72	1330 1470 1590	14 16 18	5440	3	162 x 90	209	6229
1800-80 / 1810 1800-86 / 1810 1800-92 / 1810 1800-96 / 1810	80 86 92 96	1750 1900 2030 2100	16 18 20 22	7115	3	170 x 107	216	7772
2000-99 / 1810 2000-107 / 1810 2000-113 / 1810 2000-118 / 1810	99 107 113 118	2180 2350 2490 2580	18 20 22 24	9475	3	177 x 128	224	10803

Other Models Upon Request.

Notes : Dimensions are for reference only.  
amafiltergroup reserves the right to make technical changes without giving prior notice.

**amafiltergroup**  
total filtration

americas.info@amafiltergroup.com  
www.amafiltergroup.com